



<b>Date</b>		<b>Type</b>	
<b>Project</b>			
<b>Location</b>			
<b>Model#</b>		<b>Quantity</b>	
<b>Specifier</b>			

# VERTIGO 110CM

DESIGNER : CONSTANCE GUISETT

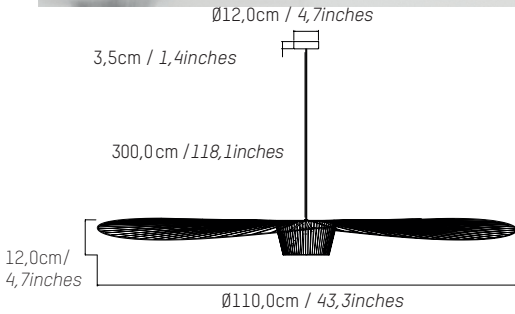
YEAR : 2022

2 YEARS WARRANTY

MATERIAL : POLYURETHANE, FIBERGLASS, STEEL

Edited by Petite Friture in 2010, the Vertigo pendant light is now an icon of contemporary design. With its ultra-light fiber glass structure, stretched with velvety polyurethane ribbons, this pendant lamp fascinates as it comes to life

swaying in the soft air currents that surround it. Vertigo is, in the words of its designer, a "den lamp". It is simultaneously ethereal and graphic, adapting to both large and small spaces where it creates its own intimate space.



## MAIN SPECIFICATIONS

### COLOUR EAN REFERENCE



Black  
3701128118062  
L0020901



White  
3701128118079  
L0020905



Copper  
3701128122045  
L0020904



Beetle  
3701128122533  
L0020910



Cobalt  
3701128122526  
L0020909



Neon yellow  
3701128122137  
L0020912

## PHYSICAL

### MEASURES

#### Diameter

110,0cm / 43,3inches

#### Height

12,0cm / 4,7inches

#### Weight

0,3kg / 0,7lb

### PARCEL LOGISTICS

#### Box 1/1

73,0 x 73,0 x 21,0cm  
28,7 x 28,7 x 8,3inches  
2,5kg  
5,5lbs

## ELECTRICAL

#### Source type

Bulb

#### Replaceable source

Yes

#### Socket

E27

#### Power

60W max

#### Bulb advice

LED, G60, transparent with filaments

#### Cable lenght

300,0cm / 118,1inches

#### Environment

Indoor

#### Cable colour

Black (white for white)

#### Canopy included

Yes

#### Canopy shape

Circular

#### Canopy size

Ø12,0 x H3,5cm  
Ø4,7 x H1,4inches

#### Canopy material

Steel

#### Canopy colour

Black (white for white)

#### Light source

Not included

#### Dimmable

Yes, with a dimmable bulb

#### Switch

No

#### Category

Pendant lamp

#### Frequency

50-60Hz

#### Volt

220 - 240V-



### SPARE PARTS

Electrical system, shade

### ACCESSORIES

10m / 39,7inches cable